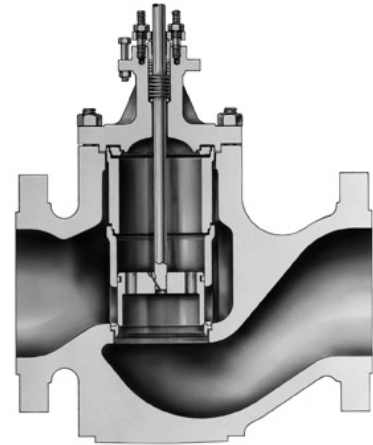


Control Valve Upgrade Improves Rangeability on Paper Machine Wire Pit Temperature Control Application

PULP & PAPER

Background

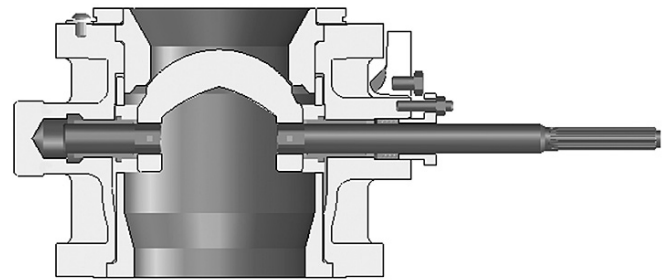
A local paper mill's Paper Machine Planner asked Control Southern to quote a replacement for the wire pit temperature valve on its #1 Paper Machine. The wire, also known as the forming section, is where fibers are filtered to form a wet web that is later pressed and formed into a solid sheet in the paper-making process. The wire pit temperature valve's function was to heat up the water in an effort to control the steam temperature in the wire pit. During an application review, increasing control range in this service was determined to be the mill's priority due to the time constraints of heating such a large volume of water.



Fisher EWD Sectional View

Solution

A direct replacement for this valve would have been a 12" Fisher® EWD globe style control valve. With the shift in emphasis from precision control to rangeability, Control Southern recommended a 10" Fisher V150 control valve for this application. As an added benefit, the customer maintains the recommended 10" V150 assembly in its on-site consignment inventory.



Fisher V150 Sectional View

Results

Financial savings are attributed to the reduced investment for the V150 style valve in lieu of the globe style control valve, and the added benefit of the V150's availability in the mill's Fisher consignment inventory.

12" EWD Valve Price: \$38,854

10" V150 Valve Price: \$11,885

One-Time Savings: \$26,969



Fisher V150 Control Valve